

MATERIAL SELECTION MECHANISM

Problem Statement

Design a material selection mechanism, in order to aid a current sorting and recycling process. The sorting process includes categorization by material type, size, and weight.



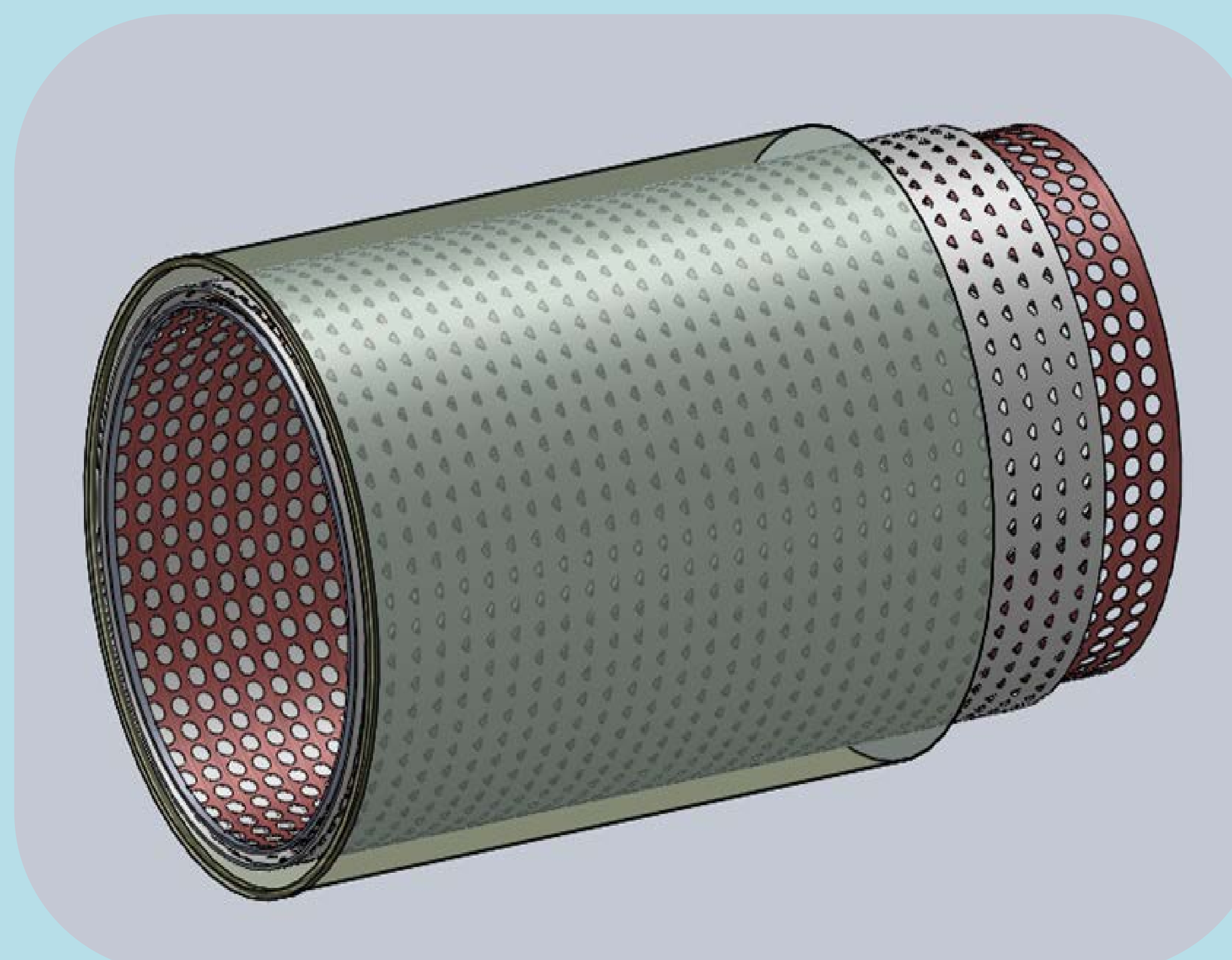
Project Procedure

Design a system to transfer material above head level to be recycled, eliminating removal, sorting and relocation by hand.

Objective

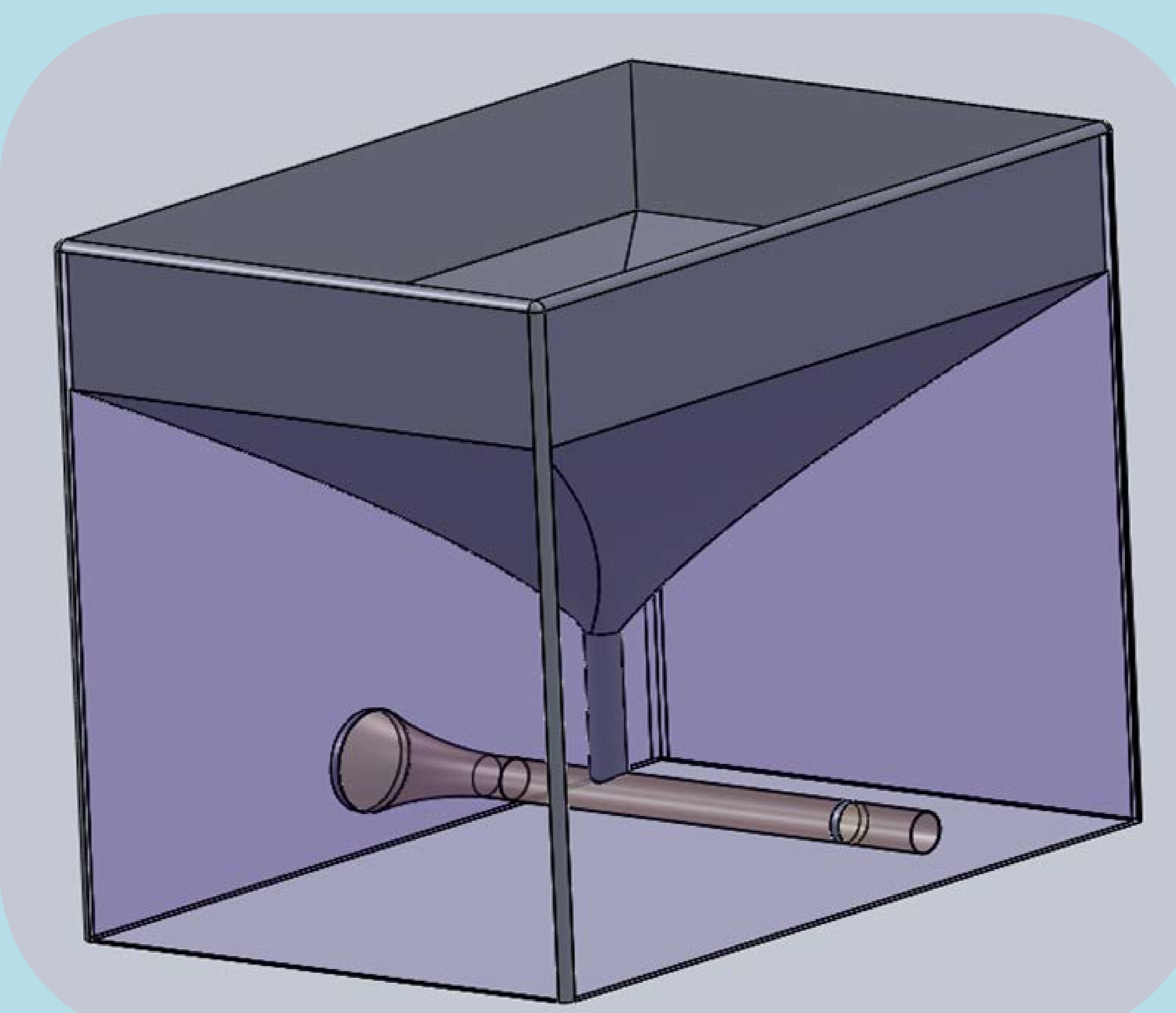
- Maximize facility's walking space
- Lessen material contamination
- Sort and transport material for recycling
- Reduce physical labor
- Optimize recycling process
- Eliminate material waste

Proposed Design



Motivation

- Design a mechanism that requires accuracy, efficiency, safety, and deadlines, for a real life application.
- Create a system that will improve current undergoing process.
- Gain professional experience, while interacting with other engineers and costumers.
- Introduce an innovative prototype for filtration/selection processes.



Team

Mahdi
Mohammadpour



Juan
Rocha



Hernando
Garcia



Faculty Advisor: Dr. Benjamin Boesl

Timeline

